

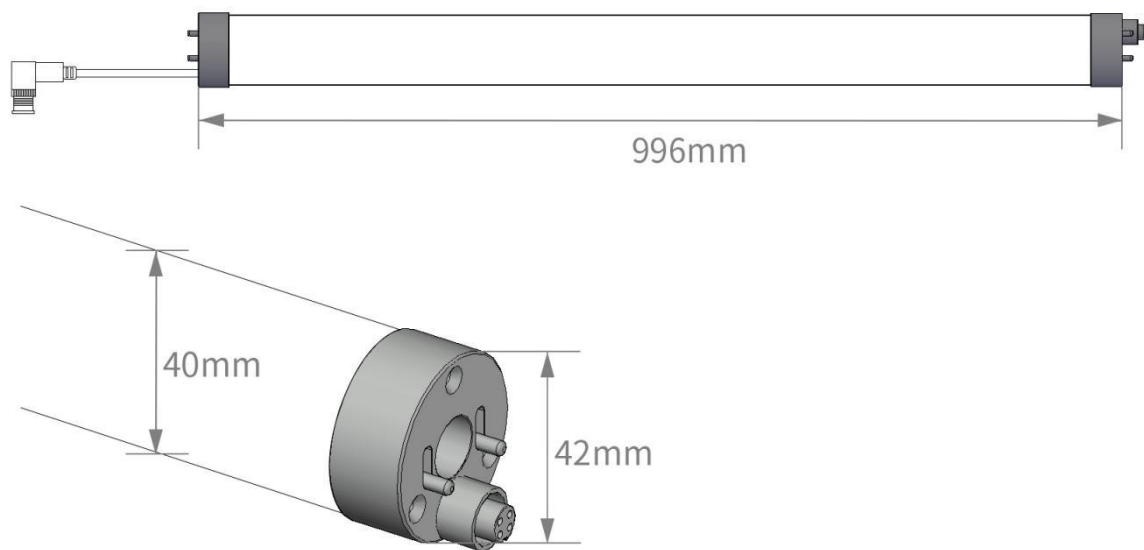


Product Name: LED360 Degree tube

Product Model: CL-T100W

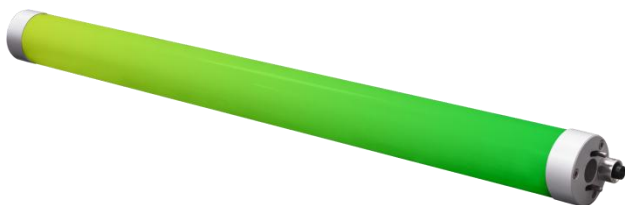
Overview: 360 degree tube light use low-voltage DC power supply, double-sided SMD led beads and 360-degree light emission without dark areas. The tube can achieve monochrome and full-color effect changes, there is a variety of specifications ,sizes and installation methods, suitable for stage lighting, bar decoration, events Conference decorations, concerts and other stage events.

1m 360 degree tube diagram:



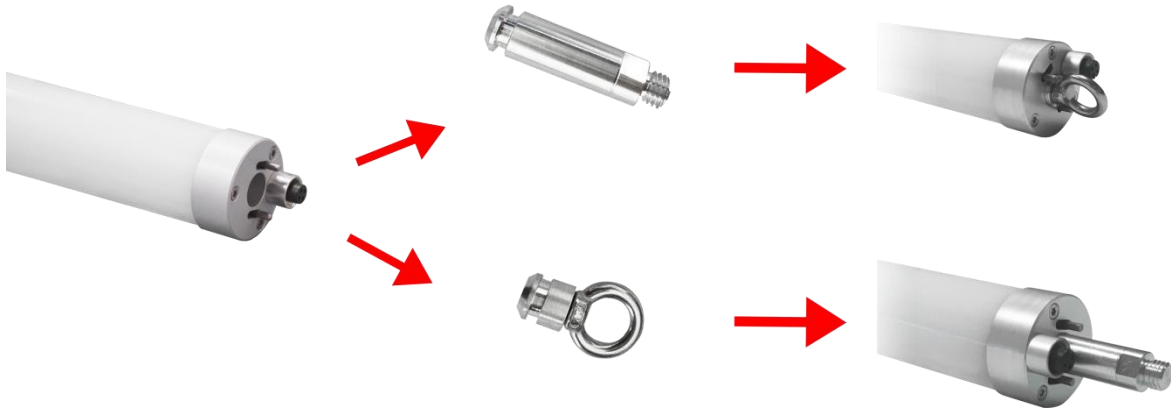
Features

- Single signal transmission, SPI control mode;
- 256 levels of gray change, PC material, beautiful effect, strong resistance to pressure
- 360°light emitting without dark area
- The parts at both ends of the tube can be detached and installed



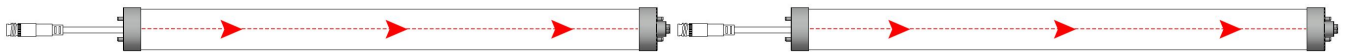


The parts at both ends of the tube can be detached and installed

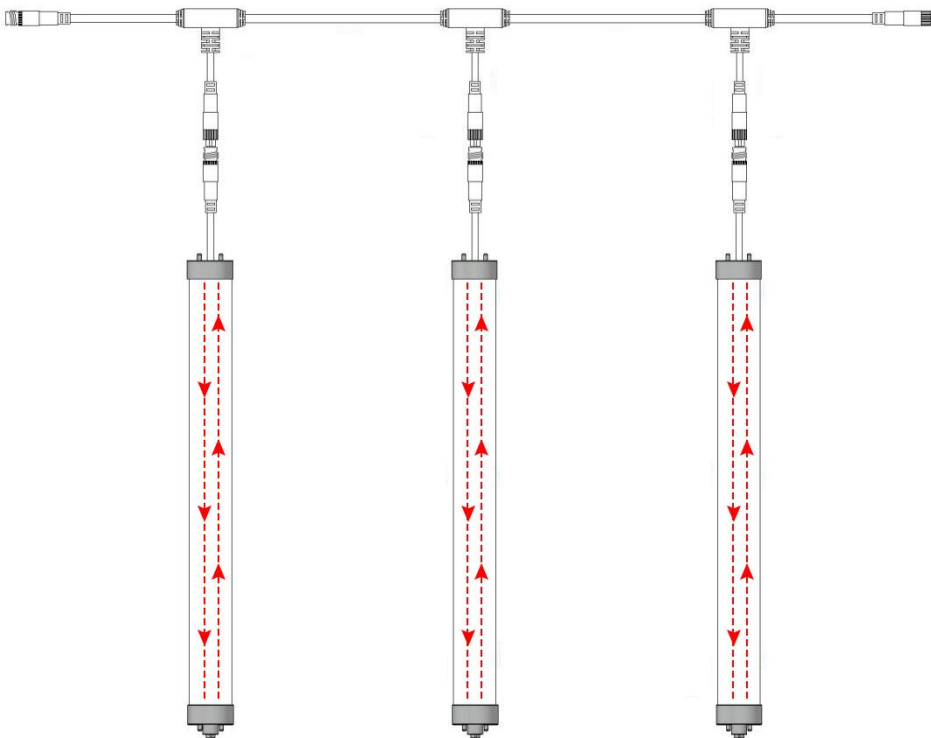


➤ Signal foldback function;

The tube's beginning and end can be connected in series, the pin end is input, the hole end is output



Signal foldback, can use T cable wire to connect the input side in series





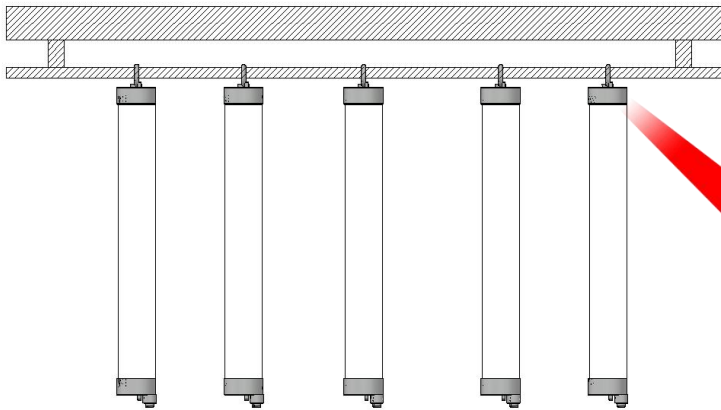
◆ Three installation methods:

(1)with 26holes ball



Each side of the tube use screw to connect with 26hole ball. And can build, Can build a variety of different shapes

(2) With Eye hook for hang installation



Each side of the tube can use eye-hook and can work with T cable wire for hang installation



(3) With Floor stand



Use with floor stand, widely use for some park, show and stage

*Normal size Specification

Length (mm)	500	1000	1200	1500	2000
Pixel (pcs)	12	24	30	36	48



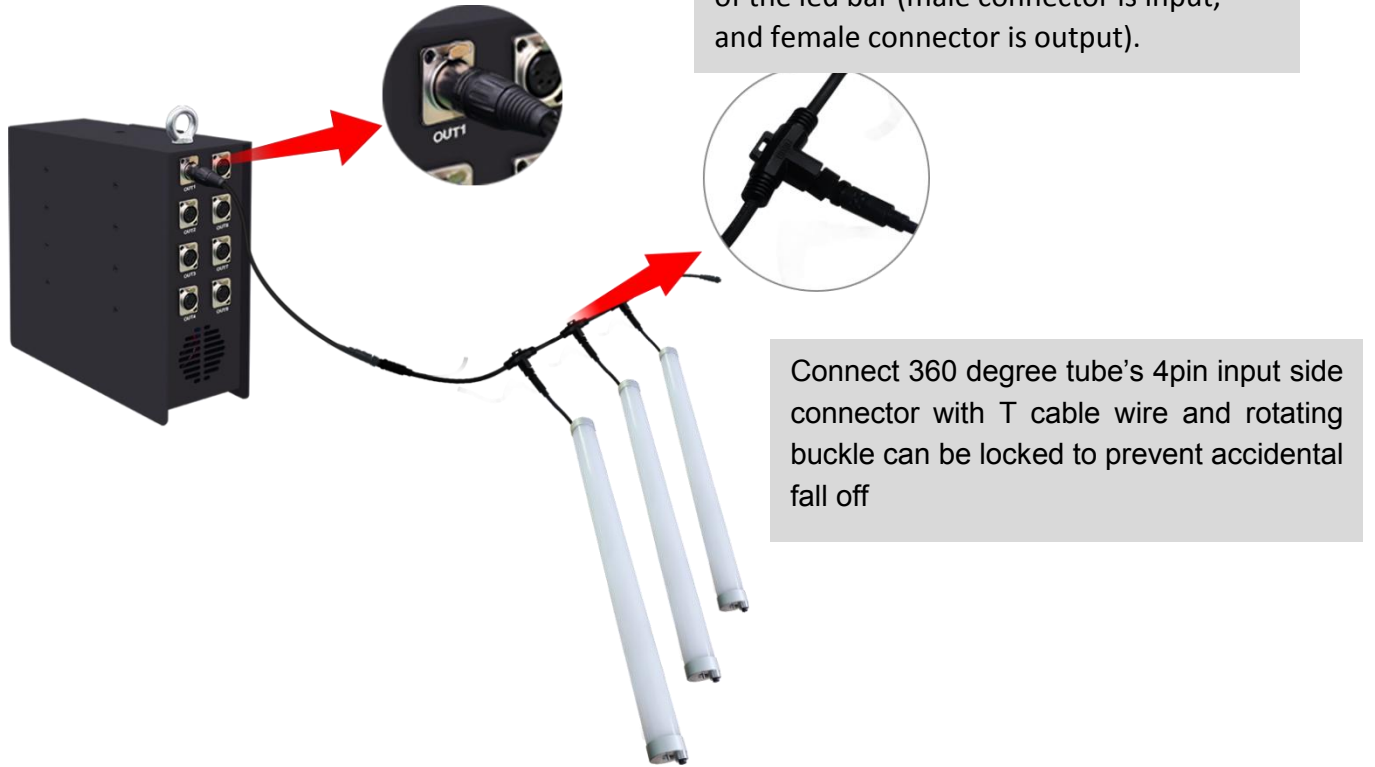
◆ Parameter list

Item	Unit	Min.	Typical	Max.
Working voltage (U)	V	—	24	—
Max Power (P)	W	—	24	—
Quiescent Current (I)	A	—	—	—
ESD voltage (Vesd)	V	2000	—	—
R-wavelength (λ D)	nm	620	—	625
G-wavelength (λ D)	nm	515	—	520
B-wavelength (λ D)	nm	460	—	470
Luminous flux (Iv)	LM	—	—	—
Beam angle	Deg	—	360	—
Working temperature (Topt)	°C	-20	—	60
Storage temperature (Tstg)	°C	-20	—	60
IP Grade (IP)	—	—	65	—
Weight (N.W)	KG	—	0.53	—
LED specifications	—	—	5050RGB	—
LED Qty(PCS)	PCS	—	144	—
IC Model	—	—	UCS1903	—
Gray level (Gray)	—	—	256	—
Channel	—	—	RGB	—
Pixel	PCS	—	24	—
Cover Material	—	—	Milky PC tube	—

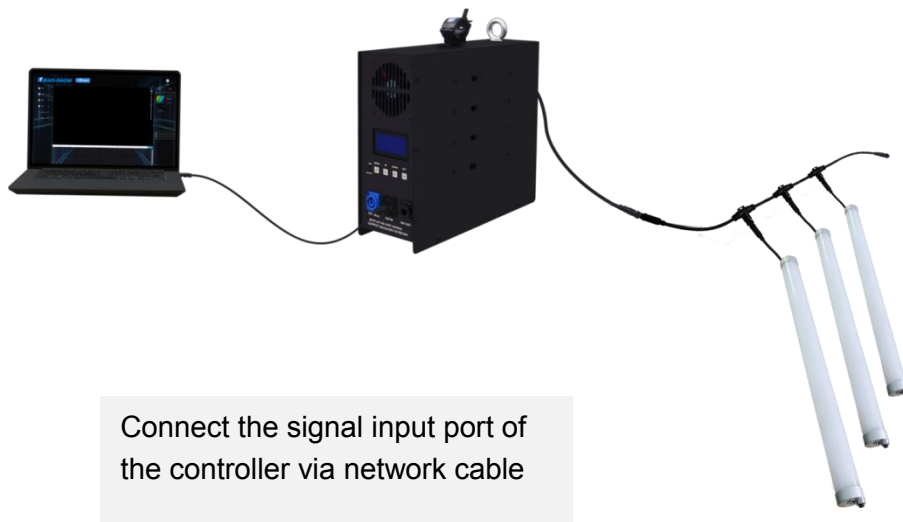


◆ **Connection and control**

① connect 360 degree tube with controller

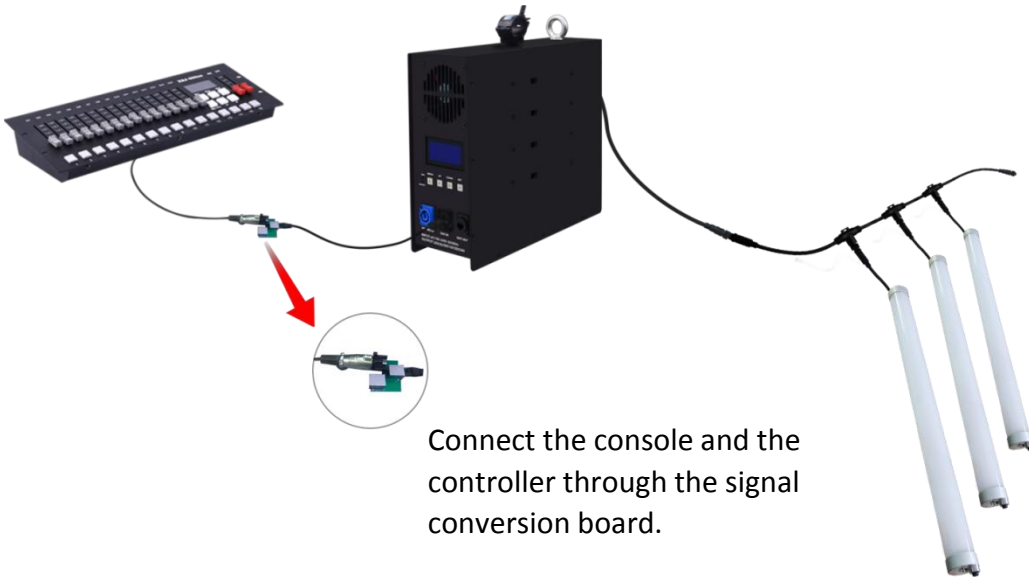


② Connect the controller with software





Connect the controller with console



Connect the console and the controller through the signal conversion board.

③ Turn on the power, set the software and controller parameters to achieve control

◆ Application

1. Stage lighting and atmosphere construction;
2. Club atmosphere lighting;
3. Linear contour light for music festivals, concerts and advertising screens;
4. Park night view decoration;
5. Lighting decoration for product launch.





Attention

- 1 . This product is D40PC round tube appearance , avoid contact with corrosive environment and objects .
- 2 . Pay attention to the wiring sequence when installing the product . Do not connect it incorrectly to avoid damaging the lamp.
- 3 . The power supply should be selected to match the voltage of the lamp belt to avoid undesirable phenomena.
- 4 . Pay attention to the input and output of the lamp and the direction of the lamp during product installation.
- 5 . During the installation of the controller , the number of loaded pixels must not exceed the range of the controllers loading capacity Around , otherwise there will be no light or flickering.
- 6 . The number of pixels in a single cascade should not exceed 90% of the ports load capacity to achieve the best results.
- 7 . The power load power should be controlled as much as 80% of the total power of the power supply.
- 8 . This product is not waterproof , pay attention to the use environment.